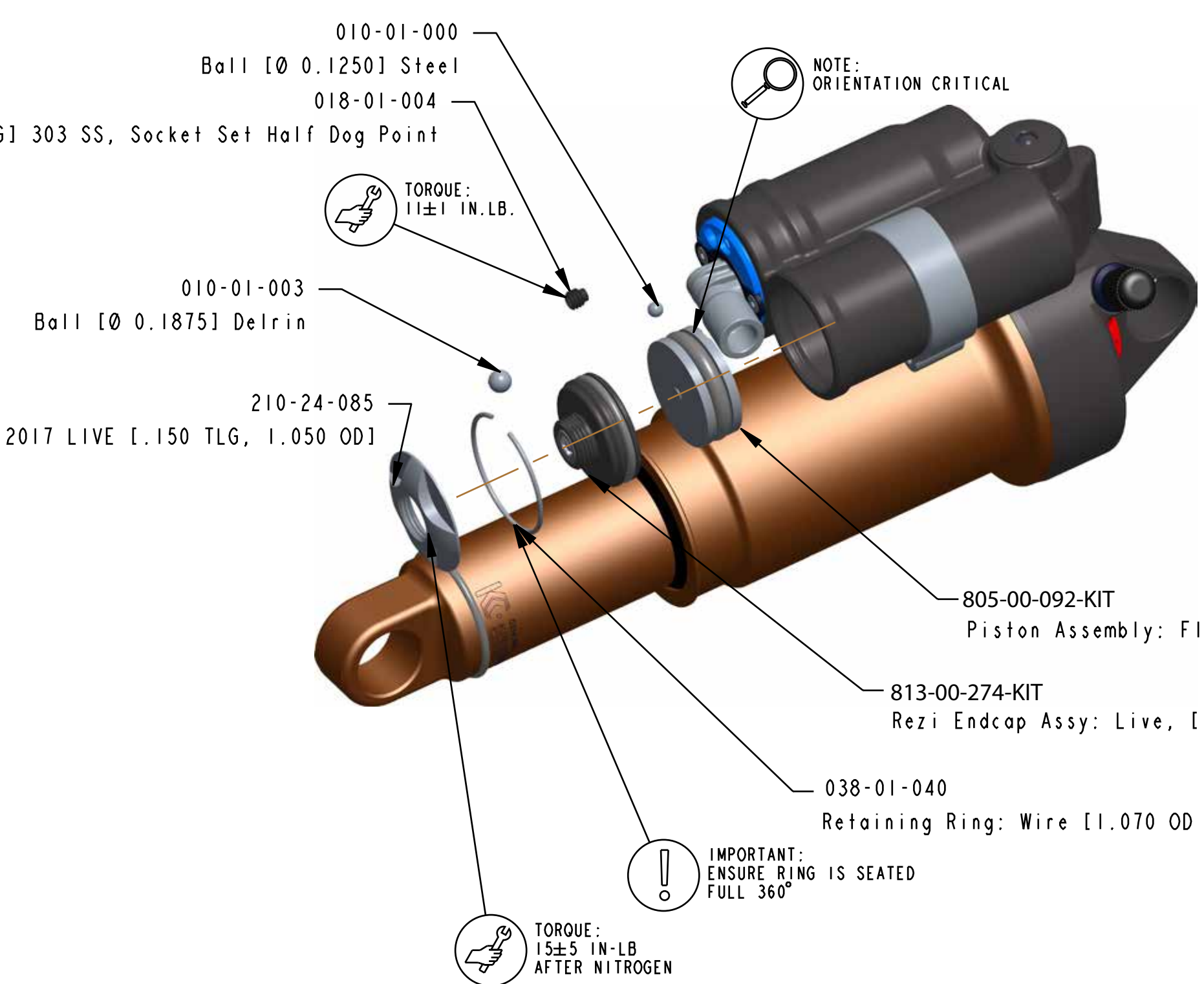
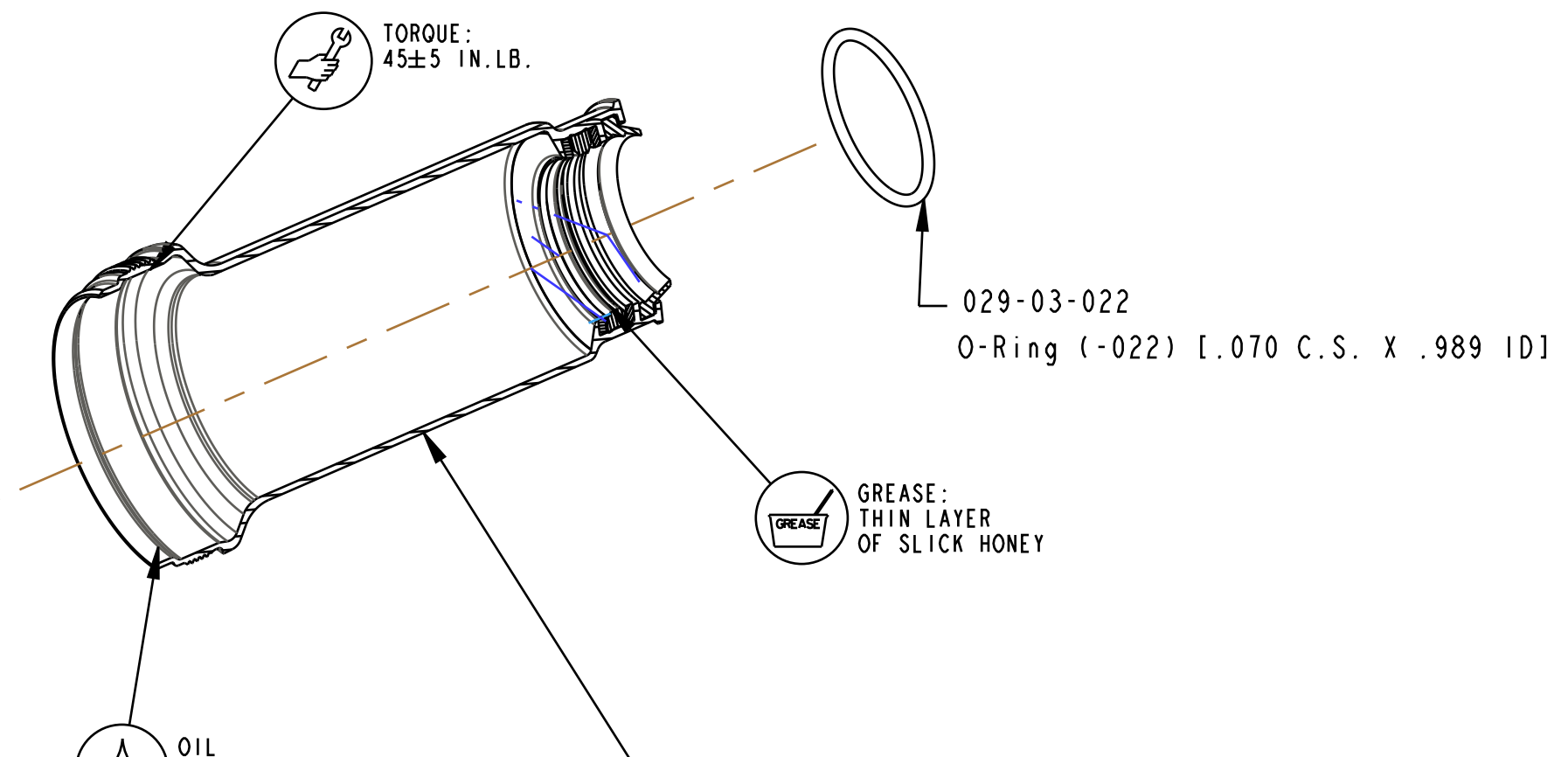


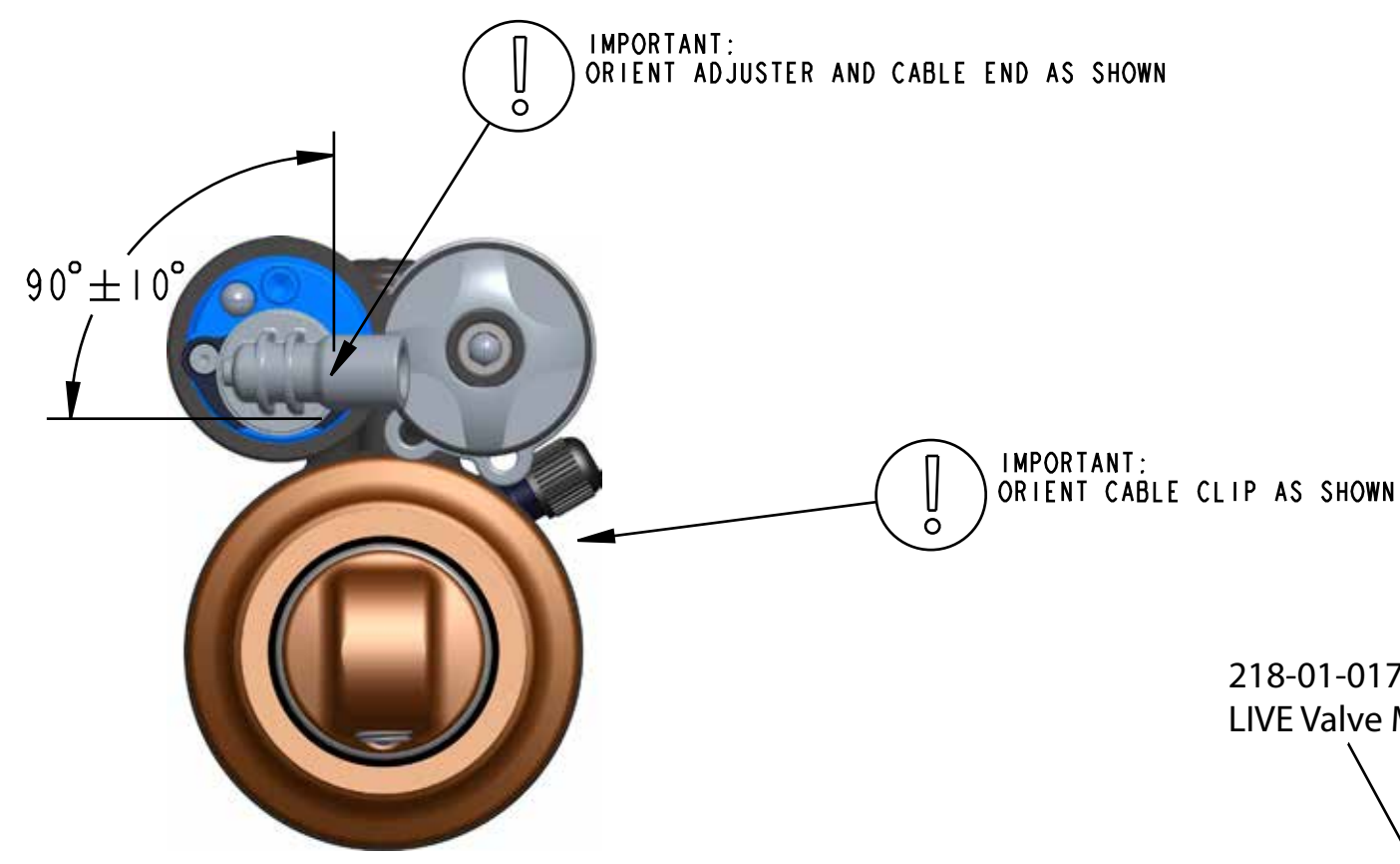
Fastener, Standard: Screw [#8-32 X 0.250 TLG] 303 SS, Socket Set Half Dog Point



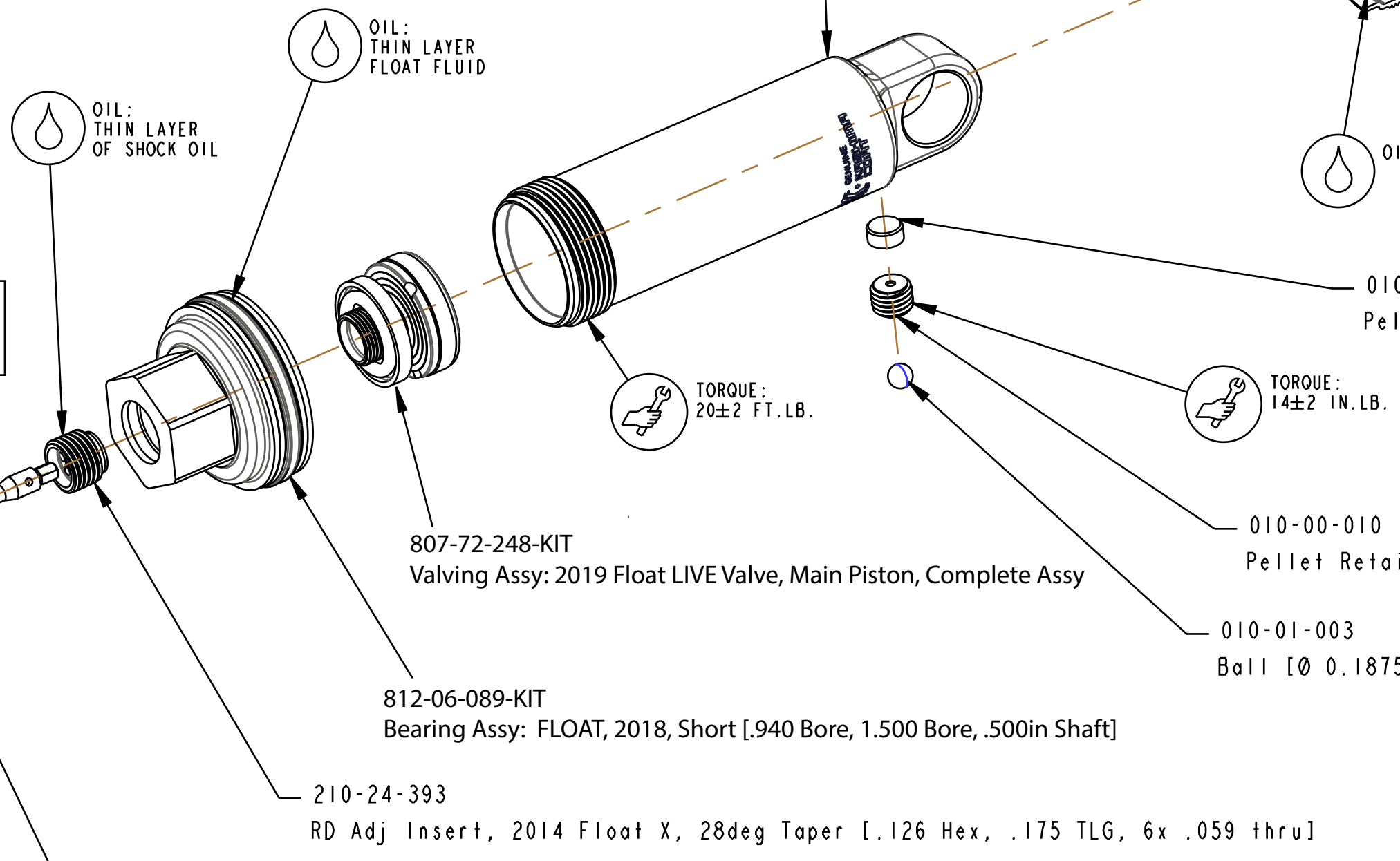
BODIES:
 207-50-031: Body: (T) Float [Ø 0.940 Bore, 1.060 OD, 3.959 TLG] Al 6061, Kashima, 165(T) x 40/45
 207-50-032: Body: (T) Float [Ø 0.940 Bore, 1.060 OD, 4.352 TLG] Al 6061, Kashima, 185(T) x 50/55



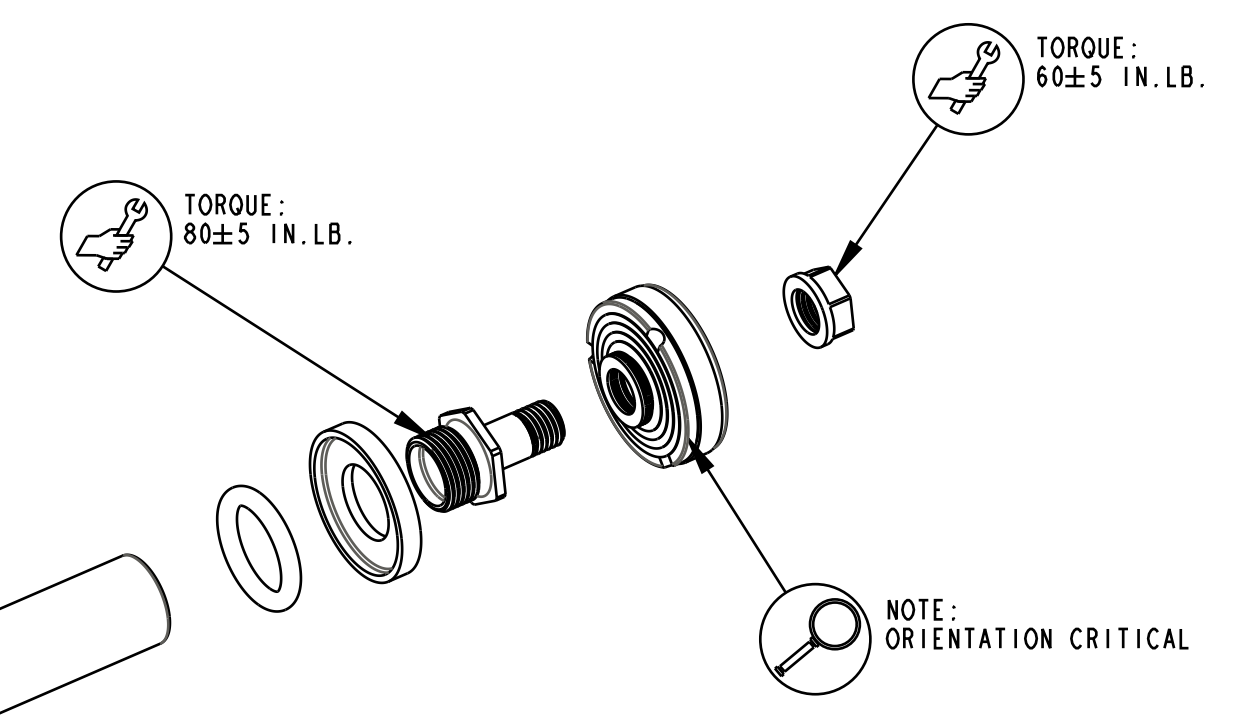
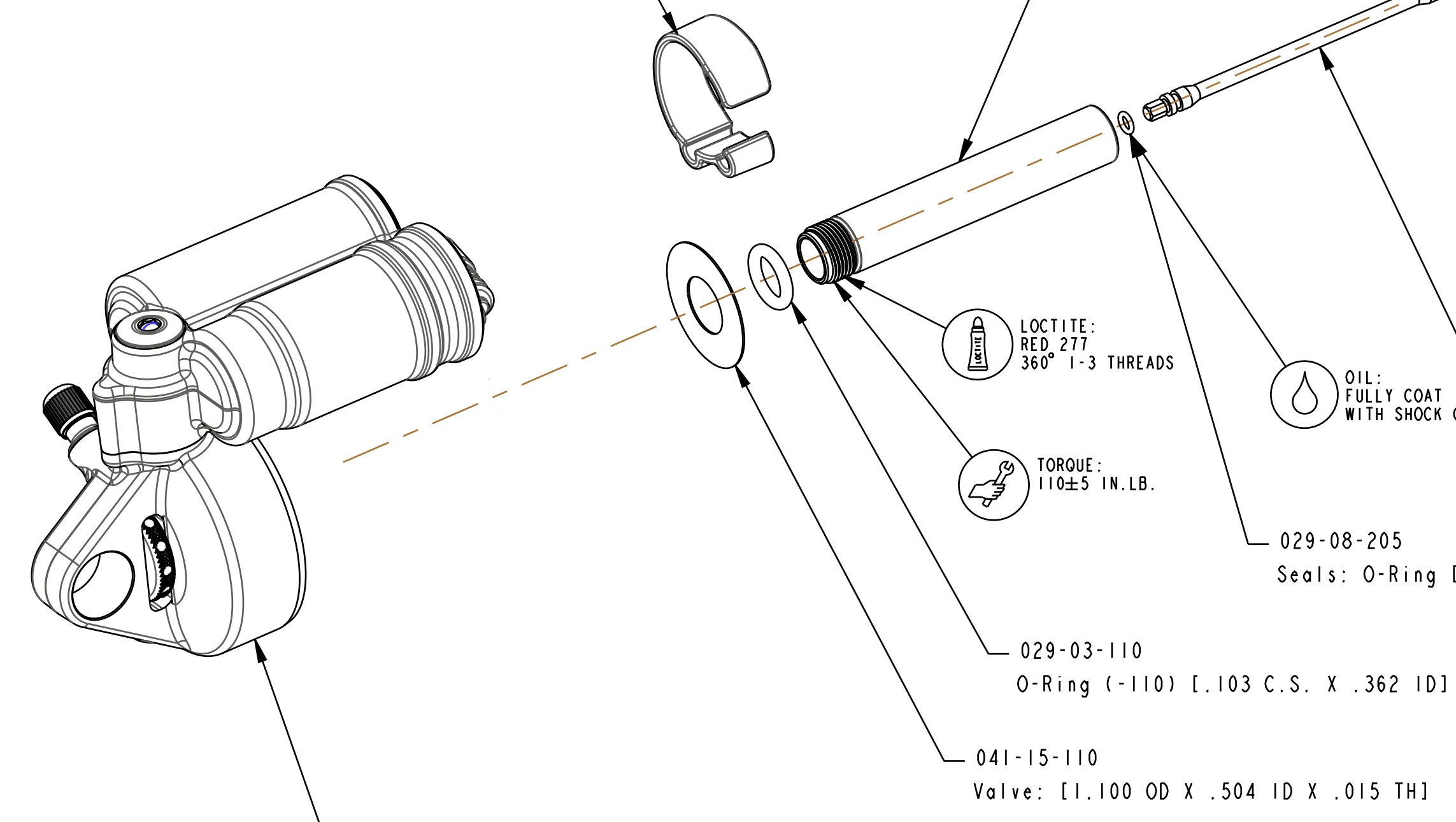
AIR SLEEVE ASSEMBLIES:
 806-29-590-KIT: Sleeve Assembly: 2018, 1.500 Bore, LV, EVOL, Kashima, 165 X 40/45
 806-29-591-KIT: Sleeve Assembly: 2018, 1.500 Bore, LV, EVOL, Kashima, 185 X 50/55



218-01-017 LIVE Valve MTB, Cable to Reservoir Clip
SHAFTS:
 230-22-009: Shaft: (T) [.390/.360 ID X .498 OD X 2.652 TLG] 190/165(T) X 45
 230-22-010: Shaft: (T) [.390/.360 ID X .498 OD X 3.045 TLG] 210/185(T) X 55



METERING RODS:
 210-90-010: Rebound Rod, (T) 2017 FLOAT X & LIVE, 3.310 TLG, 210 X 55 & 165(T) X 45
 210-90-011: Rebound Rod, (T) 2017 FLOAT X & LIVE, 3.704 TLG, 230 X 65 & 185(T) X 55



808-17-311-KIT Eyelet Assy: 2019, FLOAT LIVE, LV, Trunion

PROPRIETARY - THIS DOCUMENT CONTAINS CONFIDENTIAL, PROPRIETARY INFORMATION THAT IS FOR PROPERTY USE ONLY. DO NOT DISCLOSE TO OR DUPLICATE FOR OTHERS EXCEPT AS AUTHORIZED BY FOX.